



SHSCHEMATICS AND PARTS LIST

Blazer 125H



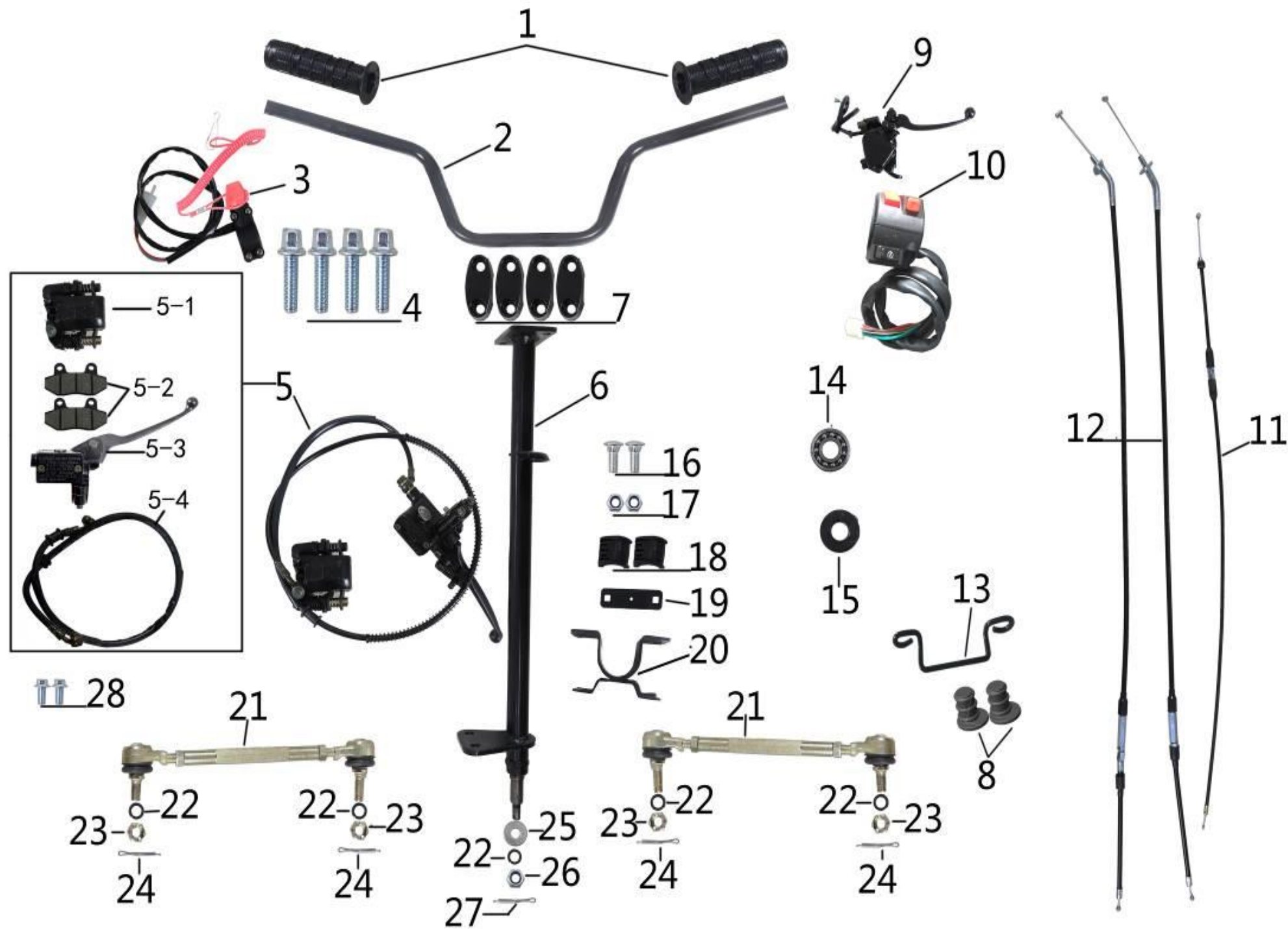
Cover system

No.	English name	Specification	Qty	ERP No.	No.	English name	Specification	Qty	ERP No.
1	Bumper - Front ATA125-K	PP专用		603882	19	Flat Washer; φ6×φ22×1.5	φ6*φ22*1.5		105455
2	Control Box Cover ATA125-K	PP专用		603883	20	Double lock Hex Socket Bolt; φ8×M6×20	φ8*M6*20		113219
3	Headlight Housing Panel ATA125-K	ABS专用		603889	21	Pedals Shockproof Rubber Parts	通用小捷豹		112956
4	Speedometer Cover ATA125-K; Spray Paint	单色喷漆		604053	22	Cross Self Tapping Screw; ST4.2×12	ST4.2*12		601797
4	Speedometer Cover ATA125-K; Water Transfer Printing	水转印		604338	23	Flat Washer; φ16×φ6.3×1.5	φ6		101701
4	Speedometer Cover ATA125-K; Graffiti	涂鸦		604390	24	Flat Washer; φ6×16×1.5	φ6		105450
5	Speedometer Housing Decoration Cover ATA125-K; Spray Paint	单色喷漆		604054	25	Large flat head hex socket bolts; M6×16	M6*16		110887
5	Speedometer Housing Decoration Cover ATA125-K; Water Transfer Printing	水转印		604339	26	Flat Washer; φ8×φ20×1.5	φ8*φ20*1.5		105466
5	Dash Board ATA125-K; Graffiti	涂鸦		604391	27	Cross Large Flat Head bolt; M6×16	M6*16		104787
6	Speedometer Transparent Cover ATA125-K	PP专用		604055	28	Large flat head hex socket bolts; M6×12	M6*12		113217
7	Speedometer Housing ATA125-K	PP专用		604057	29	Front Racks Installation Spacer ATA125- Front racks	φ8.5*φ12*12		116300
8	Rear Rack Tray ATA125-K	PP专用		603884	30	Installation Rubber Sleeve	专用		116322
9	Seat Shock Absorption Rubber Parts ATA125- K	通用小捷豹		112957	31	Seats Bottom Rubber Parts; φ22	φ22		112916
10	Front Rack Tray ATA125-K	PP专用		603885					
11	HeadLight Trim ATA125-K	PP专用		603880					
12	Plastic Front Body- Painted ATA125-K	单色喷漆		604050					
12	Plastic Front Body- Printed ATA125-K	水转印		604336					
12	Plastic Front Body- Graffiti ATA125-K	涂鸦		604392					
13	Left and Right Footrest ATA125-K	PP专用		603881					
14	Plastic Rear Body- Painted ATA125-K	单色喷漆		604051					

14		Plastic Rear Body- Printed ATA125-K	水转印		604337	
14		Plastic Rear Body- Graffiti ATA125-K	涂鸦		604393	
15		Seat - ATV ATA125-K	专用		116313	
16		Hex Flange Bolt; M6x12	M6*12		105131	
17		Cross Self Tapping Screw; ST4.8x12	ST4.8*12		105382	
18		Self Tapping Clip; M4.2	M4.2		105873	

ZHE JIANG TAOTAO VEHICLES CO.,LTD

ATA125-K Parts list



Turning system

No.	English name	Specification	Qty	ERP No.	No.	English name	Specification	Qty	ERP No.
1	Hand Grip Set ATA 110 C	专用		112951	23	Castle Nut; M10×1.5	M10*1.5		105321
2	Handle Bar ATA125-K	专用		603876	24	Cotter Pin; φ2.5×30	φ2.5*30		105338
3	Tether Switches ATA110-B	同小50		109514	25	Flat Washer; φ20×φ10×1.5	φ10*φ20*1.5		105393
4	Hex Flange Bolt; M8x50	M8*50		105231	26	Locknut; M10x1.5	M10*1.5		105256
5	Rear Disk Brake Assembly ATA125-K			116306	27	Cotter Pin; φ3x25	φ3*25		109643
5-1	Rear Disk Brake Caliper ATA125-K			117227	28	Hex Flange Bolt; M8x16	M8*16		105194
5-2	Rear Disk Brake Pad ATA125-K			117228					
5-3	Brake Level Only- Left ATA125-K			117229					
5-4	Rear Disk Brake Line ATA125-K			117230					
6	Triple Tree ATA125-K	专用1kg		603839					
7	Handle Bar Clamp	同小50		101676					
8	Steering Shaft Dust Blocks ATA125-K			115426	变更说明:				
9	Brake/Throttle Control Assemblies for All ATVs	同小50		109414					
10	Left Handle Bar Switch ATA125-K	专用		116309					
11	Throttle Cable; 750mmx84mm (29.5in x 3.3in)	通用小公牛 750mm*84mm		102527					
12	Front Brake Cable; 1000mmx100mm	通用小公牛 1米大头		102134					
13	Wire Clamp ATA125-K			603064					
14	Needle Roller Bearing ATA125-K; 2202	2202		111476					
15	Oil Seal ATA125-K; 17x35x7	17*35*7		111485					
16	Alien Bolt ATA125-K	借用ATA300-F		111065					
17	Locknut; M8	M8		105276					
18	Steering Shaft Clamp ATA125-K	借用ATA300-F		112478					
19	Triple Tree Install Rubber mat ATA125-K	借用ATA300-F		112537					

20		Steering Shaft Fixed Seat ATA125-K			603062	
21		Tie Rod Assembly ATA125-K; 220mm	220mm		101529	
22		Spring Washer	M10_发黑		104867	

ZHE JIANG TAOTAO VEHICLES CO.,LTD

ATA125-K Parts list

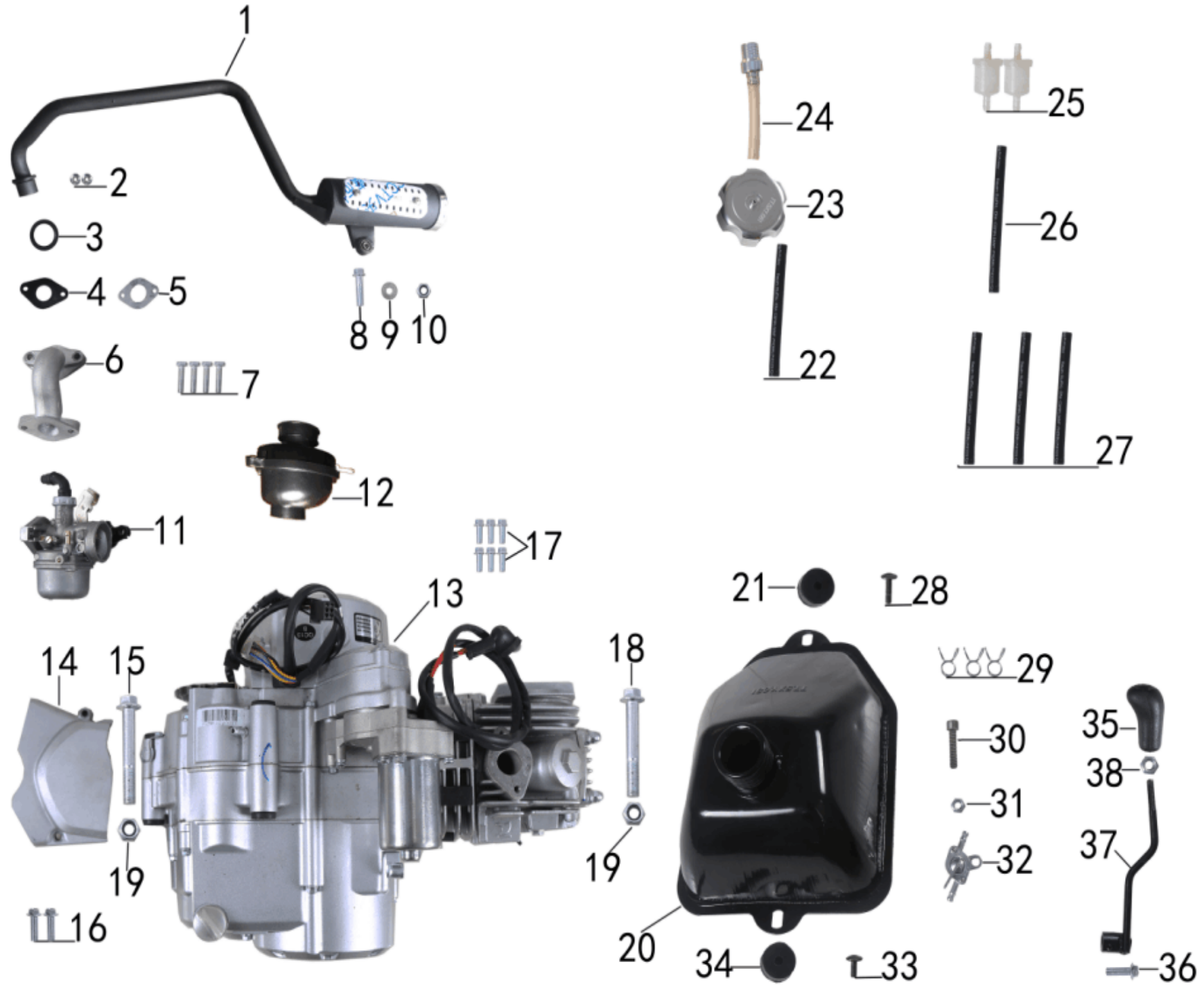


Electric system

No.	English name	Specification	Qty	ERP No.	No.	English name	Specification	Qty	ERP No.
1	Pen Head Self-tapping Screw; S3.8x12	S3.8*12		111151					
2	Front Running Light ATA125-K; LED	专用		116311					
3	Headlight Assembly ATA125-K	专用		116310					
4	Gear Indicator ATA200-D	专用 (辰阳电子)		116312					
5	Remote Control / Alarm	同125小公牛带喇叭		100394					
6	Ignition Key Switch For 110cc Utility ATVs; 4 Wire Male Plug	带螺纹 (同135D)		100699					
7	Wire Harness ATA125-K	专用		603734					
8	Speedometer Wire harness ATA125-K; 1.2m	专用1.2米		116316					
9	Locknut; M6	M6		105272					
10	Hex Flange Bolt; M6x16	M6*20		105140					
11	Regulator ATA125-K	全波		100733					
12	CDI ATA125-D; 5 Pin	通用		100667					
13	Starter Relay / Solenoid for All ATVs	同小50		101384					
14	Locknut; M6	M6		105272					
15	Tail Lights Assembly ATA125-K	通用小捷豹		112844					
16	Reflector; Rectangle; Red for E1-350 and more	长方红		100907					
17	Ignition Coil	同小50		101008					
18	Locknut; M6	M6		105272					
19	Hex Flange Bolt; M6x16	M6*20		105140					
20	12V Battery for ATVs; 12V 5Ah	12V5AH后加液		100677					
21	Battery Strap; L:200mm	同小公牛		100681					

ZHE JIANG TAOTAO VEHICLES CO.,LTD

ATA125-K Parts list



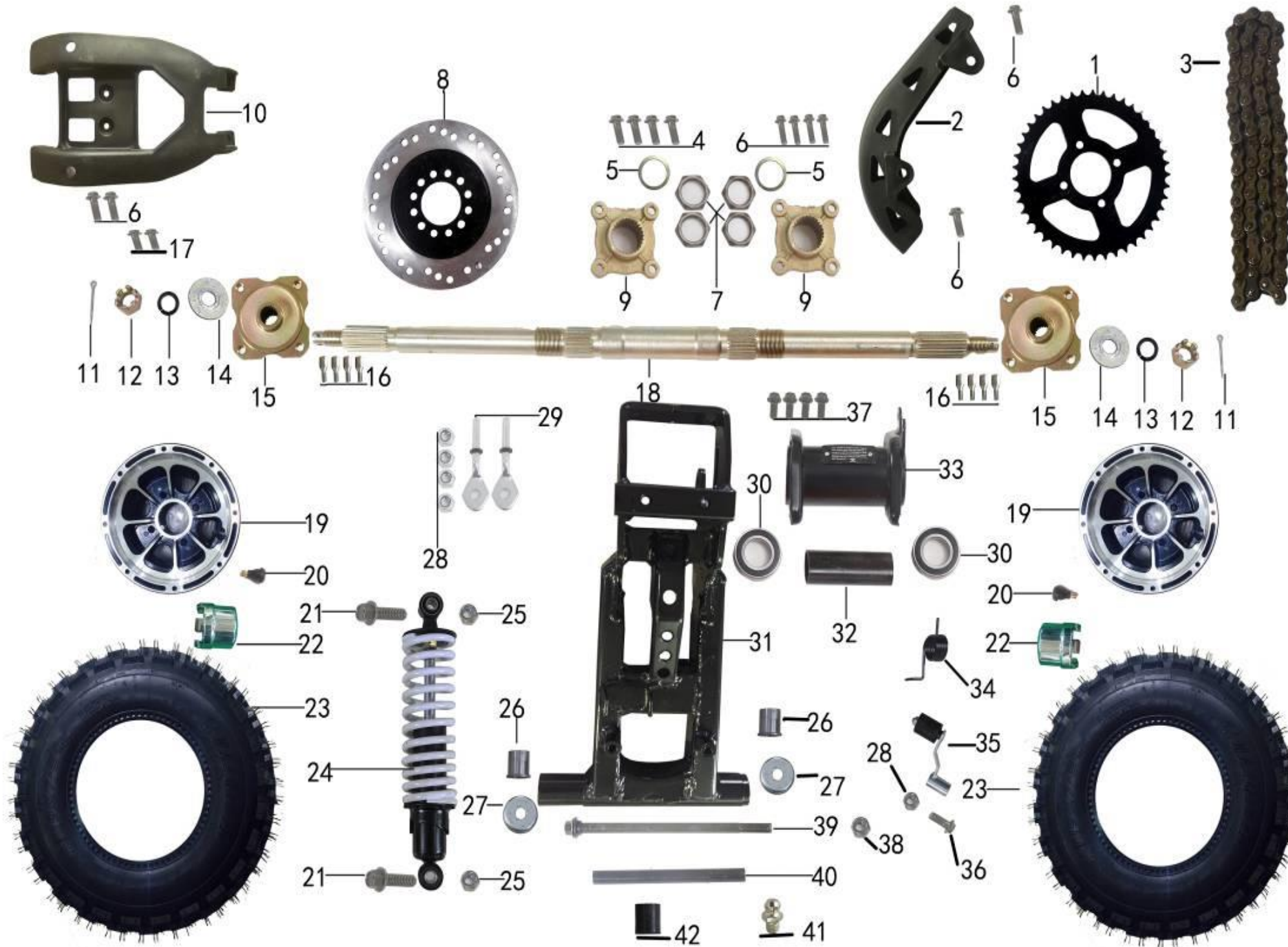
Engine system

No.	English name	Specification	Qty	ERP No.	No.	English name	Specification	Qty	ERP No.
1	Exhaust Pipe Assembly ATA125-K	专用		116308	27	Fuel Line; φ4.5×φ8.5×80	φ4.5*φ8.5*80		100273
2	Locknut; M6	M6		600791	28	Cross Large Flat Head bolt; M6×30	M6*30		110552
3	Muffler Gasket; OD: 31.5mm ID: 23.5mm	同小50		102419	29	Tube Fasten Clip; φ8	φ8		101449
4	Intake Manifold Gasket			106945	30	Hex Socket Bolt; M6×16	M6*16		600672
5	Intake Manifold Rubber Pad ATA125-K	通用		化油器带	31	Locknut; M6	M6		105272
6	Intake Manifold; Metal Color	同小50		103050	32	Fuel Valve / Petcock/Fuel Pump	通用		102241
7	Hex Nut; M8×20	M8×20		105712	33	Cross Large Flat Head bolt; M6x20	M6*20		600680
8	Hex Flange Bolt; M8x35	M8*35		105223	34	Fuel Tank Panel Washer			600710
9	Flat Washer; φ8x20x1.5	φ8*φ20*1.5		106932	35	Gear Shifter Handle for ATA	同110卡丁车		101088
10	Locknut; M8	M8		105276	36	Hex Flange Bolt; M6x20	M6*20		105141
11	Electric Choke Carburetor ATA125-K; PZ22	PZ22		101342	37	Gear Shifter Rod ATA110-C	专用		602449
12	Air Filter	带卡扣 (同13 5D)		115427	38	Hex Nut; M10×1.5	M10*1.5		105487
13	120cc Auto w/Reverse, Elec. Start Engine Assembly ATA125-K; 120CC (1+1) 14齿全波	120CC (1+1)) 14齿全波		112290					
14	Engine Sprocket Covers	110通用		110975					
15	Hex Flange Bolt; M8×110	M8*110		116864					
16	Hex Nut; M8×20	M8×20		105712					
17	Hex Bolt; M8x16	M8*16		105194					
18	Hex Bolt; M8×120	M8*120		116865					
19	Locknut; M8	M8		105276					
20	Fuel Tank-ATV; @50	同小50		102297					
21	Pedals Shockproof Rubber Parts ATA125- K	通用		600709					
22	Fuel Line; φ4.5×φ8.5×100	φ4.5*φ8.5* 100		100269					
23	Fuel Tank Cap	通用		101678					

24		Fuel Tank Cap Vent Tube	通用		600566	
25		Fuel Filter Universal	通用		600801	
26		Fuel Line; $\phi 4.5 \times \phi 8.5 \times 200$	$\phi 4.5 * \phi 8.5 * 200$		100271	

ZHE JIANG TAOTAO VEHICLES CO.,LTD

ATA125-K Parts list



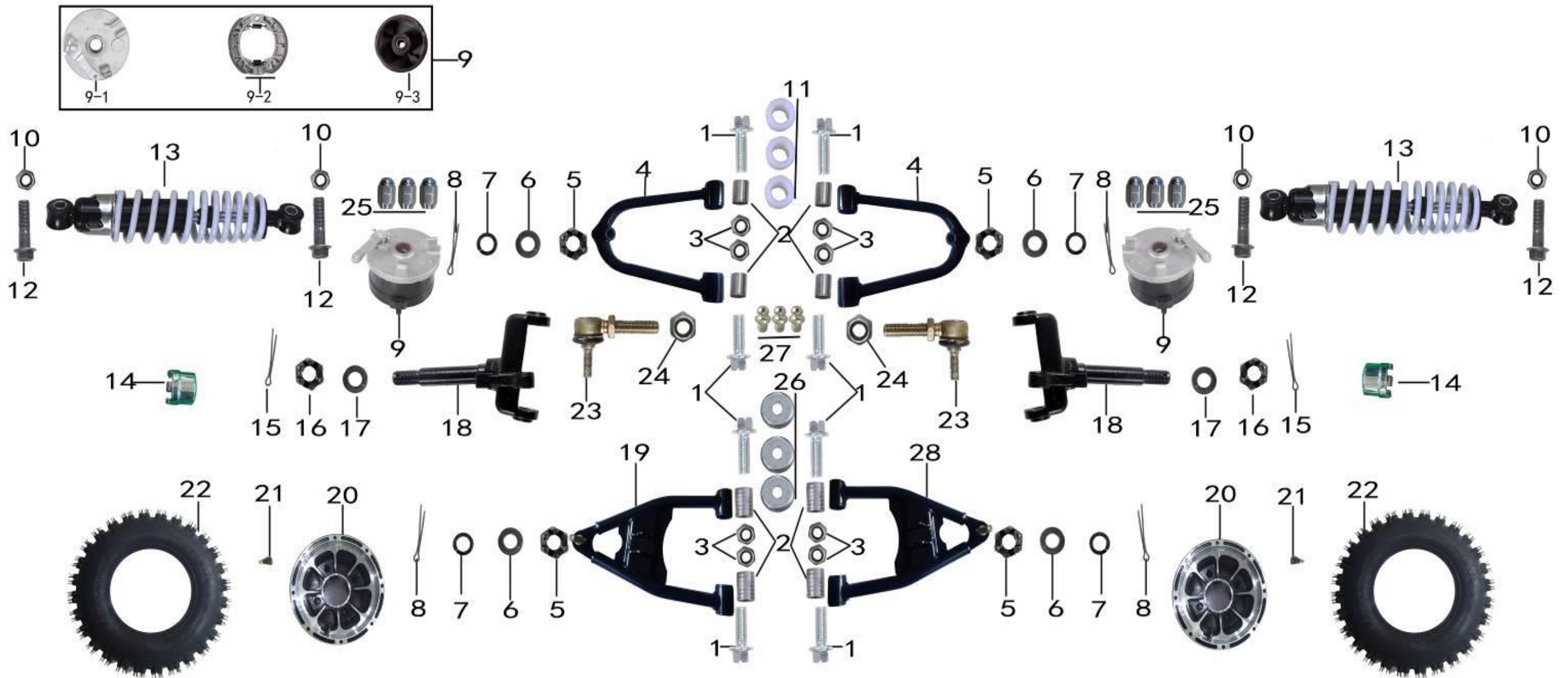
Rear suspension system

No.	English name	Specification	Qty	ERP No.	No.	English name	Specification	Qty	ERP No.
1	Rear Sprocket; 428-45	428#45齿		101591	27	Swing Arm Sealing Cover; $\phi 39 \times 10$	$\phi 39 \times 10$		112924
2	Chain Cover ATA125-K	PP专用		603886	28	Locknut; M8	M8		105277
3	#428 Drive Chain ATA125-K; 428-94Chain	428#94节		116307	29	Chain Adjuster; M8x40	M8x40		105926
4	Hex Flange Bolt; M8x1.25x16	M8*16		105195	30	Ball Bearing; 6006	6006		102817
5	Rear Axle Washer; $\phi 27$	$\phi 27$		600804	31	ATV Swing Arm ATA125-K	专用3.9kg		603849
6	Hex Flange Bolt; M8x14	M8*14		105187	32	Rear Axle Carrier Spacer ATA125-D	$\phi 35 \times \phi 31 \times 8.5$		600540
7	Hex Nut; M27x1.5	M27x1.5		104862	33	Rear Axle Carrier for Cheetah and more	通用110-B		109837
8	Rear Disk Brake Rotor ATA125-K; $\phi 190$	$\phi 190$		116302	34	Chain Tensioner Spring ATA125-K	通用小捷豹		112928
9	Brake Disc/Sprocket Hub for ATA 110 B/B1 and more	28齿		100866	35	Chain Tension Wheel	通用小捷豹		112927
10	Plastic Skid Plate ATA125-K; PP	PP专用		603888	36	Hex Flange Bolt; M8x55	M8*55		105234
11	Cotter Pin; $\phi 3 \times 40$	$\phi 3 \times 40$		105340	37	Hex Flange Bolt; M10x1.5x25	M10*1.5*25		104984
12	Castle Nut; M20x1.5	M20x1.5		105334	38	Locknut; M12x1.25	M12*1.25		105259
13	Spring Washer	M20		104876	39	Hex Flange Bolt; M12x1.25x250	M12*1.25*250		105077
14	Flat Washer; $\phi 20 \times \phi 48 \times 4$	$\phi 20 \times \phi 48 \times 4$		600583	40	Swing Arm Spacer ATA125-K; $\phi 18 \times \phi 12 \times 218.5$	通用小捷豹		112922
15	Rear Rim Hub fits on all 8" & 10" tire for VELOZ and more	110后轮 细牙		100870	41	Grease Fitting; M6x9	M6*9		108287
16	Hub Bolt; M10x30	M10*30		109369	42	Swing Arm Wear-Resisting Rubber Sleeve; $\phi 36 \times \phi 30 \times \phi 38$	$\phi 36 \times \phi 30 \times \phi 38$		112923
17	Hex Flange Bolt; M8x12	M8*12		105180					
18	Rear Axle ATA125-K	专用		116301					
19	Rim- Rear; 8"	8寸		109241					
20	Valve Stems for All ATVs and Go Karts	通用		108238					
21	Hex Flange Bolt; M10x1.25x40	M10x40x1.25		105006					
22	Dust Cover ATA 135 D5			109241-1					

23		8" Tire; 18*9.5-8	18*9.5-8		101286	
24		Front Shock Assembly ATA125-K; 315mm	315mm		116304	
25		Locknut; M10×1.25	M10×1.25		105254	
26		Swing Arm Spacer Powder Metallurgy; φ30×φ26×φ18	φ30*φ26*φ 18		112921	

ZHE JIANG TAOTAO VEHICLES CO.,LTD

ATA125-K Parts list



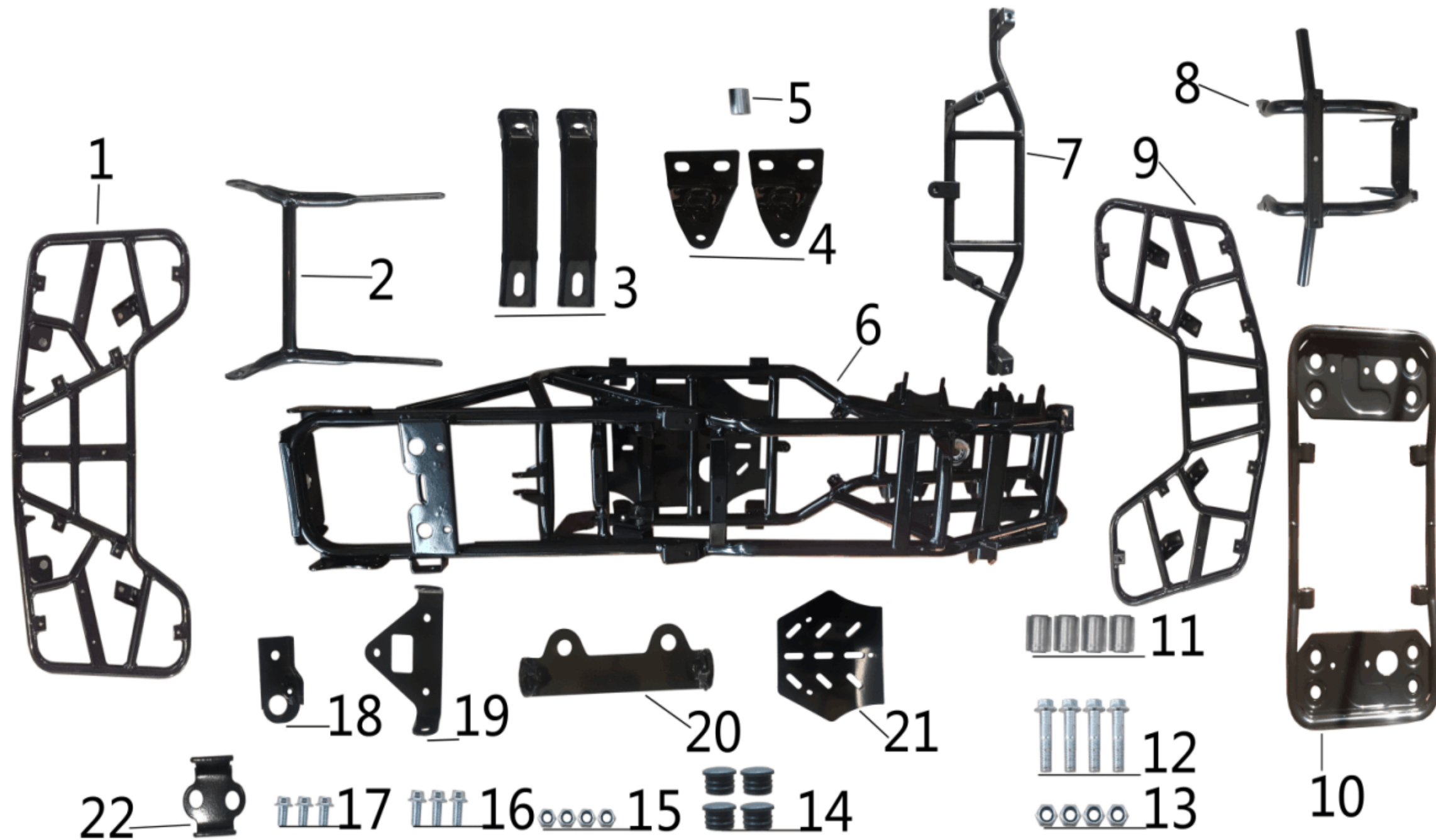
Front suspension system

No.	English name	Specification	Qty	ERP No.	No.	English name	Specification	Qty	ERP No.
1	Hex Flange Bolt; M10×1.25×70	M10*1.25*70	5	105027	24	Locknut; M14*15	M14*15	5	105263
2	Front Rocker Arm Spacer ATA125-K; φ17.7×φ10×49	φ17.7*φ10*49	5	112931	25	Acorn Nut; M8	M8	5	105289
3	Locknut; M10×1.25	M10*1.25	5	105254	26	Rocker Arm Sealing Cover; φ37×φ10	φ37*φ10	5	112934
4	Upper A-Arm ATA125-K	专用0.5kg*2	5	603855	27	Grease Fitting; M6x9	M6*9	5	108287
5	Castle Nut; M10×1.25	M10×1.25	5	105320	28	Lower Right A-Arm ATA125-K	专用1kg	5	604263
6	Flat Washer; φ20×φ10×1.5	φ20×φ10×1.5	5	105393					
7	Spring Washer; M10	M10	5	104868					
8	Cotter Pin; φ2.5×30	φ2.5×30	5	105338					
9	Drum Brake Assembly Front Left and Right Set; 110#	110#		102771					
9-1	Drum Brake Backing Plate			111974					
9-2	Drum Brake Shoe		10	111975					
9-3	Ball Bearing; 6003	6003	5	111933					
10	Hex Flange Bolt; M10x1.25	M10*1.25	5	105253					
11	Nylon Bushing ATA125-K; φ30×φ25×φ18×20	φ30*φ25*φ18*20	5	112930					
12	Hex Flange Bolt; M10x1.25x40	M10×40×1.25	5	105006					
13	Front Shock Assembly ATA125-K; 315mm	315mm	5	116304					
14	Dust Cover ATA 135 D5		5	109241-1					
15	Cotter Pin; φ3×40	φ3×40	5	105340					
16	Castle Nut; M14×1.5	M14×1.5	5	105326					
17	Flat Washer; φ14×φ40×2	φ40×φ14.2×1.8	5	105414					
18	Front Spindle (Pair) ATA125-K	90加厚	10	102887					
19	Lower Left A-Arm ATA125-K	专用1kg	5	603857					
20	Rim- Front ATA125-K; Aluminium		2	115034					

21		Valve Stems for All Scooters	通用	5	108238	
22		8" Tire; 19x7-8	19*7-8	4	102015	
23		Tie Rod End ATA125-K; M14x1.5x60	M14*1.5*60	10	101486	

ZHE JIANG TAOTAO VEHICLES CO.,LTD

ATA125-K Parts list



Frame system

No.	English name	Specification	Qty	ERP No.	No.	English name	Specification	Qty	ERP No.
1	Rear Rack ATA125-K	专用2.3kg	2	603866					
2	Rear Lifter ATA125-K	专用0.5kg		603843					
3	Rack Supporting Bracket- Rear ATA125-K	专用0.2kg*2	2	603853					
4	Engine Mount Bracket ATA125-K	专用0.1kg*2	2	603859					
5	Engine pylon spacer ATA125-K; φ20×φ8.5×6	φ20*φ8.5*6		112917					
6	Main Frame ATA125-K	专用13.6kg		603833					
7	Rack Supporting Bracket- Rear ATA125-K	专用1.1kg		603841					
8	Front Bumper ATA125-K	专用1.3kg	2	603862					
9	Front Rack ATA125-K	专用2.4kg	2	603864					
10	Foot Plate ATA125-K	专用3.8kg	2	603837					
11	Bushing; 10x30x35	φ10*φ30*35		101355					
12	Hex Flange Bolt; M10×55×1.25	M10*1.25*55		105015					
13	Locknut; M10×1.25	M10*1.25		105254					
14	Metal Tube Rubber Cap; φ22	φ22		102415					
15	Locknut; M8	M8*1.25		105276					
16	Hex Flange Bolt; M8x1.25x25	M8*25		105212					
17	Hex Flange Bolt; M8x16	M8*16		105194					
18	Fuel Tank Switch Bracket ATA125-K	专用0.1kg		603872					
19	Gauge Mounting Bracket ATA125-K	专用		603847					
20	Speedometer Bracket ATA125-K	专用		603870					
21	Rear Axle Hub Protector ATA125-K	0.2kg		603868					
22	Electric Parts Bracket ATA125-K			603845					